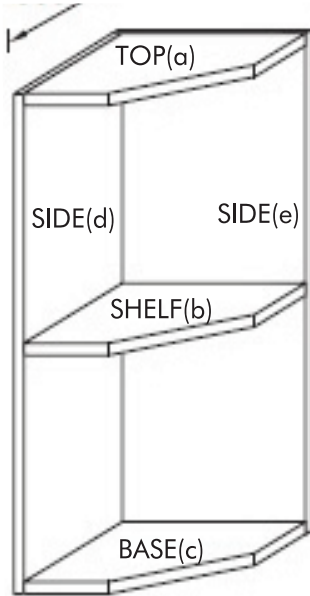


1

ALL COMPONENTS

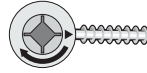


2

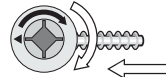
START WITH BOTTOM AND RIGHT SIDE



INSERT THE CAM SCREW INTO THE SIDES SO THAT IT PROTRUDES ENOUGH FOR THE HEAD OF THE SCREW TO BE ROUGHLY CENTRED IN THE CAM WHOLES IN THE BASE



START WITH THE TRIANGLE POINTING TO THE SIDE PIECE



TURN A HALF ROTATION SO THAT THE TRIANGLE POINTS TO THE INSIDE OF THE CABINET

3

JOIN TOP(a), SHELF(b) & BASE(c)

JOIN TOP(a), SHELF(b) AND BASE(c) TO THE LEFT SIDE(d), TIGHTEN ALL CAMS

4

FIX THE OTHER SIDE

FIX THE REMAINING SIDE(e) INTO PLACE

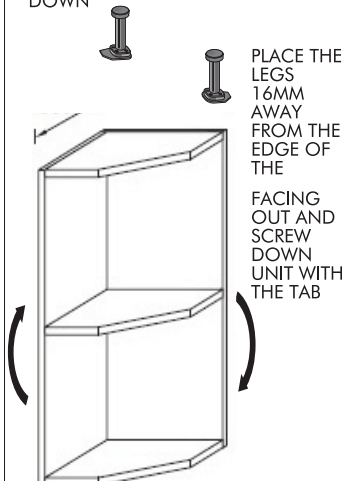
NB
USING 8 X 30 SCREWS
SECURE THE BACKING

USING 8 X 30 SCREWS
LOCK THE CAMS FROM
THE SIDE OF THE UNIT

5

FLIP OVER AND ADD THE LEGS

FLIP THE CABINET UPSIDE DOWN



PLACE THE LEGS 16MM AWAY FROM THE EDGE OF THE

FACING OUT AND SCREW DOWN UNIT WITH THE TAB

7

COMPLETE UNIT

